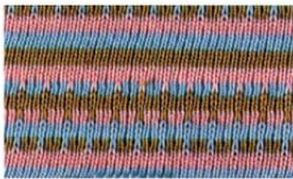
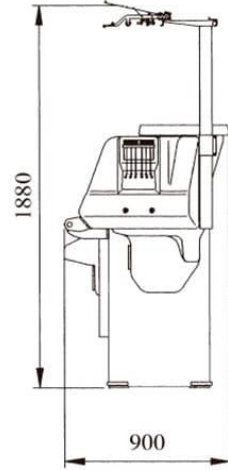
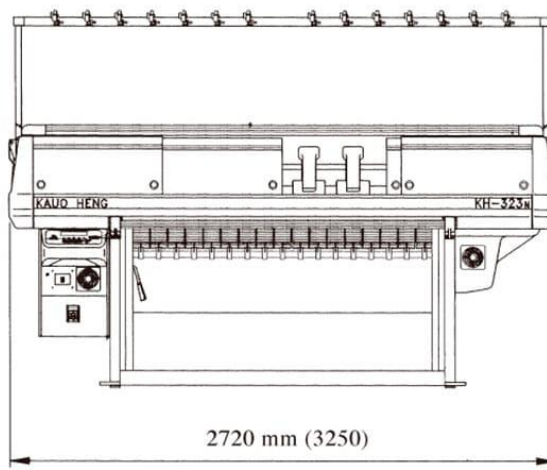




KH-313N KH-323N 電腦程控橫編織機
COMPUTERIZED FLAT KNITTING MACHINE

V2





SPECIFICATION

MODEL	KH-313N	KH-323N
GAUGE	7G, 10G, 12G, 14G, 16G, 18G, 20G, 22G	
KNITTING WIDTH	40" (102cm)	60" (152cm), 80" (203cm)
CAM SYSTEM	Single system.	Double system or tandem 1+1 system.
	Tuck on front bed & rear bed, high butt & low butt system. Independent Lycra tuck cam system.	
KNITTING SPEED	Max. 1.2m/sec. Knitting speed varies according to gauge, yarn and knitting condition.	
YARN CARRIERS	6 yarn carriers on 3 double rails.	12 yarn carriers on 3 double rails.
JACK SYSTEM	Equipped special Lycra yarn carrier. Jack + out of action position on front bed and rear bed, jack knit and jack tuck, for pattern of bird-eye, square & mini-jacquard etc.	
NEEDLE BED	Replaceable segment needle bed. (Option)	
STITCH DENSITY	Electronic control with stepping motor 00-99 levels.	
RACKING	6 levels to left or to right.	
FABRIC TAKE DOWN	Compound main roller, torque motor control, two separate speeds adjustable each.	
STOP MOTION	Yarn break, knot, needle break, shock, fabric drop out, wraparound check, piece count, motor overload etc.	
DRIVE	Timing belt, no oil needed, programming speed.	
TOP TENSIONS	Electronic top tensions easy to thread the yarn through.	
SAFETY COVER	Full safety cover for anti-noise and dust proofing.	
OPERATION LAMP	Green : normal operation. Yellow : abnormal stop.	
FLUORESCENT LAMP	Inside of safety cover.	
POWER	220V, 1/3HP motor.	220V, 1/2HP motor.
CONTROL SYSTEM	Computer control LCD display.	
USB	USB equipment.	
UPS	UPS function with flash memory.	
WOODEN CASE	1940 x 1000 x 1790 mm. N/G. Weight 450/600 kgs. (40")	
	2900 x 1100 x 1790 mm. N/G. Weight 700/1050 kgs. (60")	
	3480 x 1100 x 1790 mm. N/G. Weight 800/1200 kgs. (80")	

"All the contents of this catalog are subject to change without notice."



高亨精機工業有限公司
**KAUO HENG
 PRECISION MACHINERY
 INDUSTRIAL CO., LTD.**
 台灣省新北市板橋區和平路14巷20號
 No. 20, Lane 14, Ho Ping Road, Banciao Dist.,
 New Taipei City, Taiwan.
 TEL.:886-2-2955 9258 (Rep.)
 FAX:886-2-2962 9153
 http://www.kauoheng.com.tw
 E-mail:kauoheng@ms58.hinet.net

經銷商 AGENT

